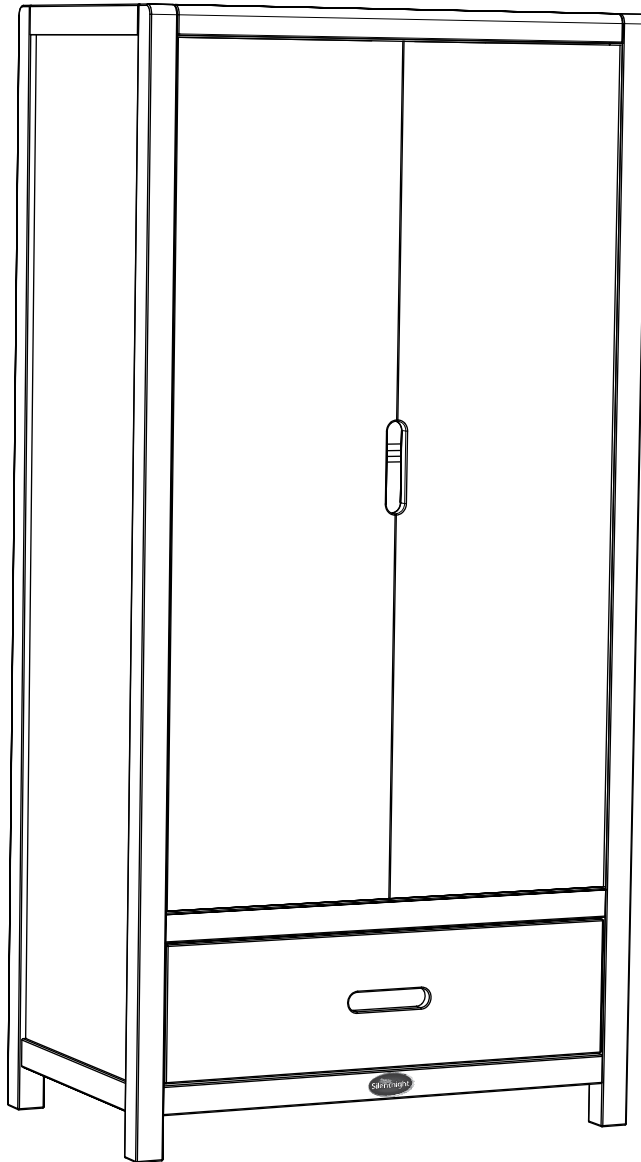


KOKO SILENTNIGHT DOUBLE WARDROBE



IMPORTANT RETAIN FOR FUTURE REFERENCE READ CAREFULLY



1.5hour approx
assembly time



Two person
assembly

Dreams



Thank you

Hello, thank you for purchasing this Koko Silentnight Double Wardrobe. Please read the instructions carefully before use to ensure safe and satisfactory operation of this product. This wardrobe is suitable for children in the range 3-12 years old. Maximum loadability is 5kg for the drawer and 10kg for the wardrobe shelf. This product complies with EN 14749:2016+A1:2022 and BS 4875-7:2006.



Assembly tips

Before you begin, it's best to identify all parts and fittings to build your silentnight double wardrobe.

We advise laying these out on the floor to check you have everything, and familiarising yourself before building.



Top tip

Ensure that the wall strap is used to securely attach the wardrobe to the wall to prevent tipping. Any additional or replacement parts must only be obtained from dreams & Partners.



Safety and care

The product should only be used on firm, level ground. Keep small parts out of reach of children. Ensure the product is fully assembled as illustrated before use. Care should be taken that no screws are loose because a child could trap parts of their body, or clothing (e.g. strings, necklaces, ribbons, dummies, etc) which could pose a risk of strangulation.



Help and support

At Dreams, it's our mission to give the whole nation a great night's sleep – this means that the quality of our products is of utmost importance to us. If there are any issues with your product or any missing parts, please visit our website at www.dreams.co.uk/help



Recycling

Please ensure that packaging is disposed of in a safe and environmentally friendly way, and recycle where possible. Our assembly instructions are printed on recycled paper. Please keep your assembly instructions safe to refer back to in the future.

Safety Warnings

Your child's safety may be put at risk if you do not follow these instructions.

Assembly should be carried out by a competent adult only.

WARNING: Installation should be carried out exactly according to the manufacturer's instructions otherwise a safety risk can occur if incorrectly installed.

WARNING: In order to prevent tipping this product must be used with the wall attachment devices provided. Serious or fatal crushing injuries can occur from furniture tipping over.

- Be aware of the risk of open fire and other sources of heat, such as electric bar fires, gas fires, etc . in the near vicinity of the wardrobe.
- Use only spare parts approved by the manufacturer.
- All assembly fittings should be tightened properly and care should be taken to ensure that no screws are loose, as a child could trap parts of the body, or clothing (e.g.ribbons, drawstrings, necklaces). This could lead to strangulation.
- Regularly check that all fittings and components of the wardrobe are fully tightened and in working order.
- Wood is a natural material, the colour could darken with age.
- During assembly children should be kept away from the product due to possible risk of injury.
- This product is not designed to be disassembled once built.

Due to constant updating and improvements, some components may occasionally difer slightly from the images shown in these instructions. We reserve the rights to change the specifications of any products without prior notice. If you need any assistance please contact your dreams.co.uk retailer from whom you purchased your product, who will take appropriate action.

Warning

IN ORDER TO PREVENT TIPPING THIS PRODUCT MUST BE USED WITH THE WALL ATTACHMENT DEVICES PROVIDED.

Serious or fatal crushing injuries can occur from furniture tipping over. To help prevent tipping:

- Use the wall attachment devices provided
- Never allow children to climb or hang on drawers, doors or shelves
- Place heaviest items in the lower drawers or shelves
- Do not place TVs or other heavy objects on top of this product
- Never open more than one drawer at a time

Attachment devices are provided with your product, however you will need to source suitable fixings for your wall type. If in doubt, please consult a qualified tradesperson. Always ensure the wall to be drilled is free from hidden electrical wires, water and gas pipes.

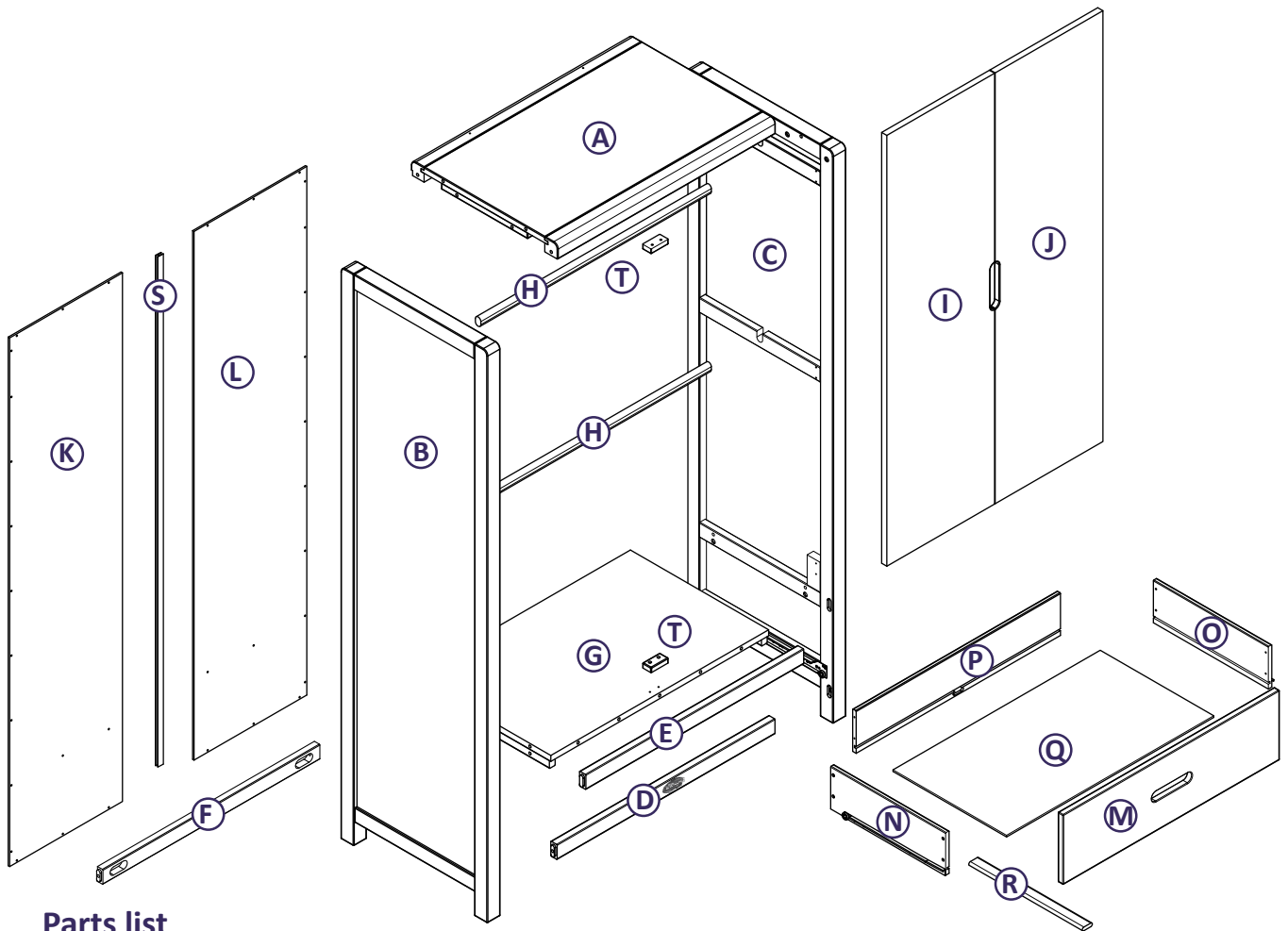
To prevent overloading we recommend the following maximum loads:

Shelves: 10kg

Hanging rails: 10kg

Drawers: 5kg

Parts

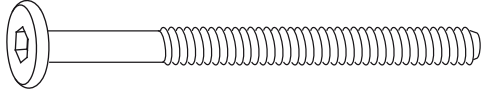


Parts list

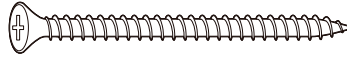
A.	Top panel	QTY	1	M.	Drawer front	QTY	1
B.	L/H side panel	QTY	1	N.	L/H drawer side panel	QTY	1
C.	R/H side panel	QTY	1	O.	R/H drawer side panel	QTY	1
D.	Bottom front rail	QTY	1	P.	Drawer back	QTY	1
E.	Middle front rail	QTY	1	Q.	Drawer bottom panel	QTY	1
F.	Bottom back rail	QTY	1	R.	Drawer base	QTY	1
G.	Bottom panel	QTY	1	S.	Back divider	QTY	1
H.	Clothes rail	QTY	2	T.	Door stop	QTY	2
I.	L/H door panel	QTY	1				
J.	R/H door panel	QTY	1				
K.	L/H back panel	QTY	1				
L.	R/H back panel	QTY	1				

Fittings

Please check you have all the parts listed below with your product:



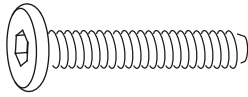
H1: M6 x 50mm
Qty: x8



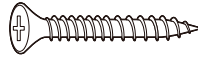
H6: 4.0mm x 45mm
Qty: x4



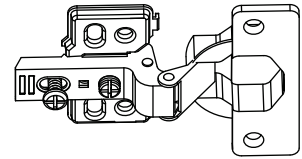
H11: 73 x 15 x 24mm
Qty: x2



H2: M6 x 30mm
Qty: x8



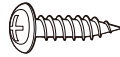
H7: 3.5mm x 25mm
Qty: x8



H12: Hinge
Qty: x6



H3: 25 x 15 x 6mm
Qty: x8



H8: 3.5mm x 16mm
Qty: x36



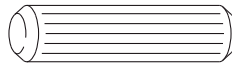
H9: 9mm x 9mm
Qty: x4



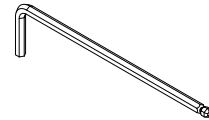
H13: 3.5mm x 16mm
Qty: x36



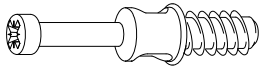
H4: 15mm x 11mm
Qty: x3



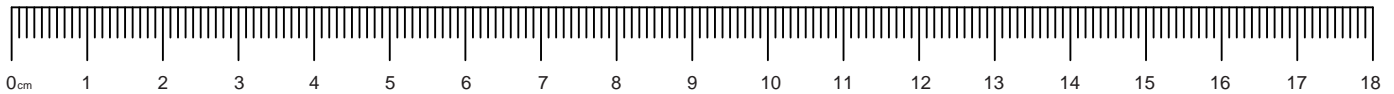
H10: 8mm x 30mm
Qty: x10



H14: M4 x 106mm Allen key
Qty: x1



H5: 5mm x 24mm
Qty: x3



Tools required

Please check you have all these below:



Flathead
screwdriver



Scissors



Spanner



Tape measure

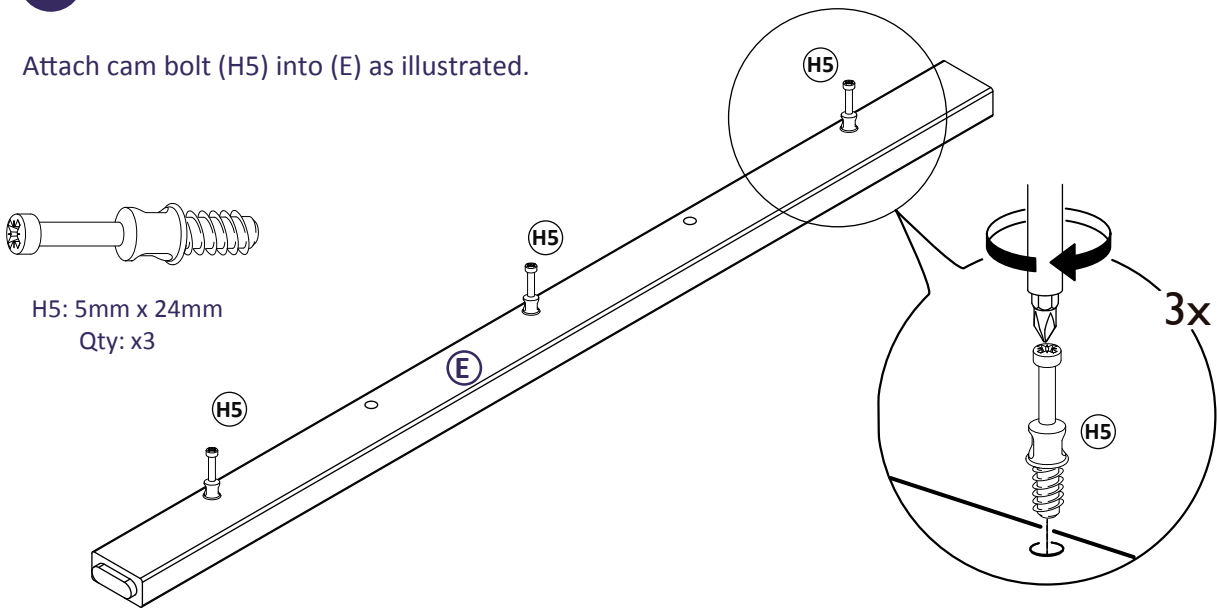


Cross head
screwdriver

KOKO SILENTNIGHT DOUBLE WARDROBE

1

Attach cam bolt (H5) into (E) as illustrated.



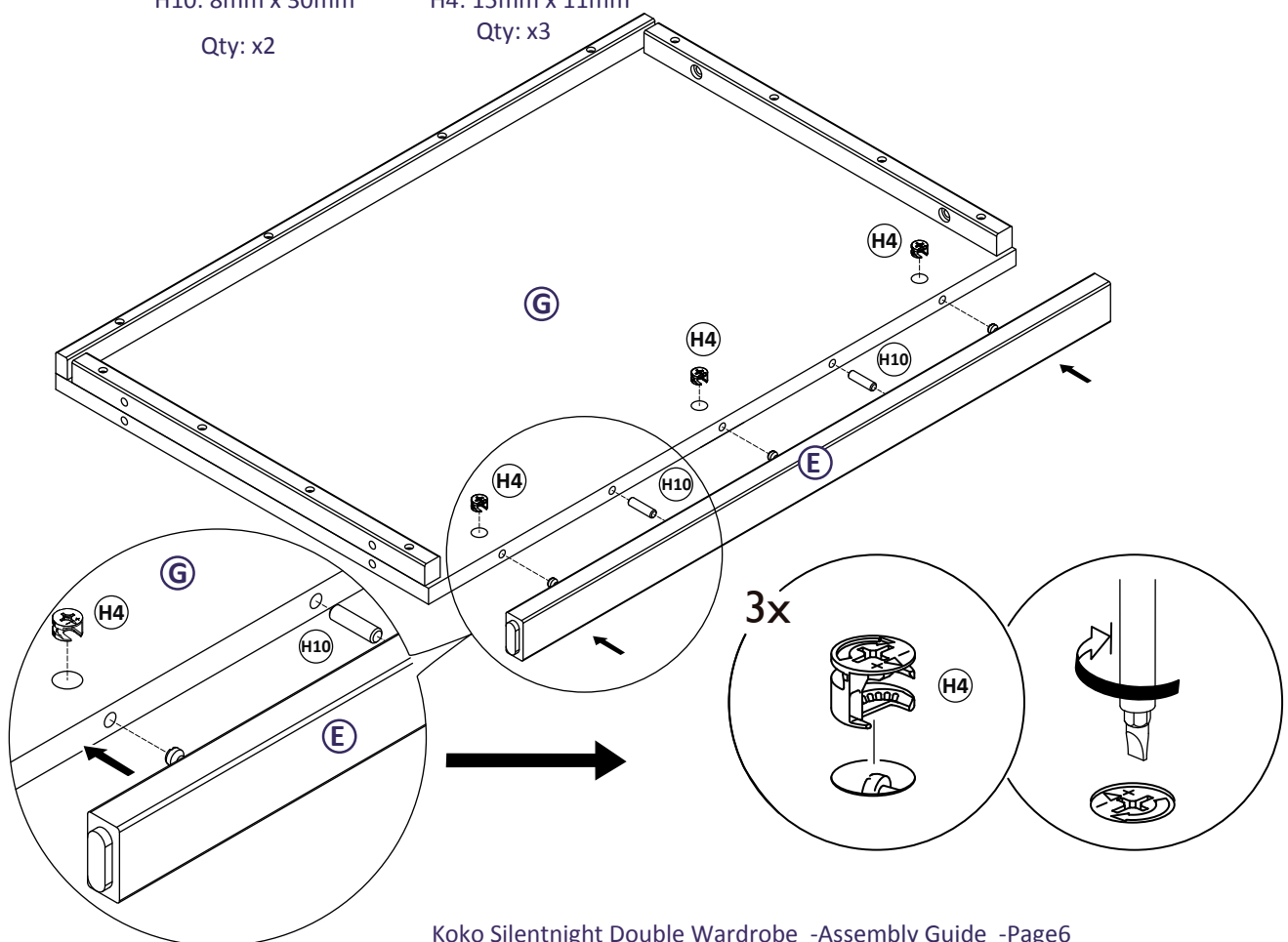
2



H10: 8mm x 30mm
Qty: x2

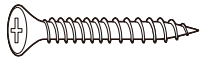


H4: 15mm x 11mm
Qty: x3

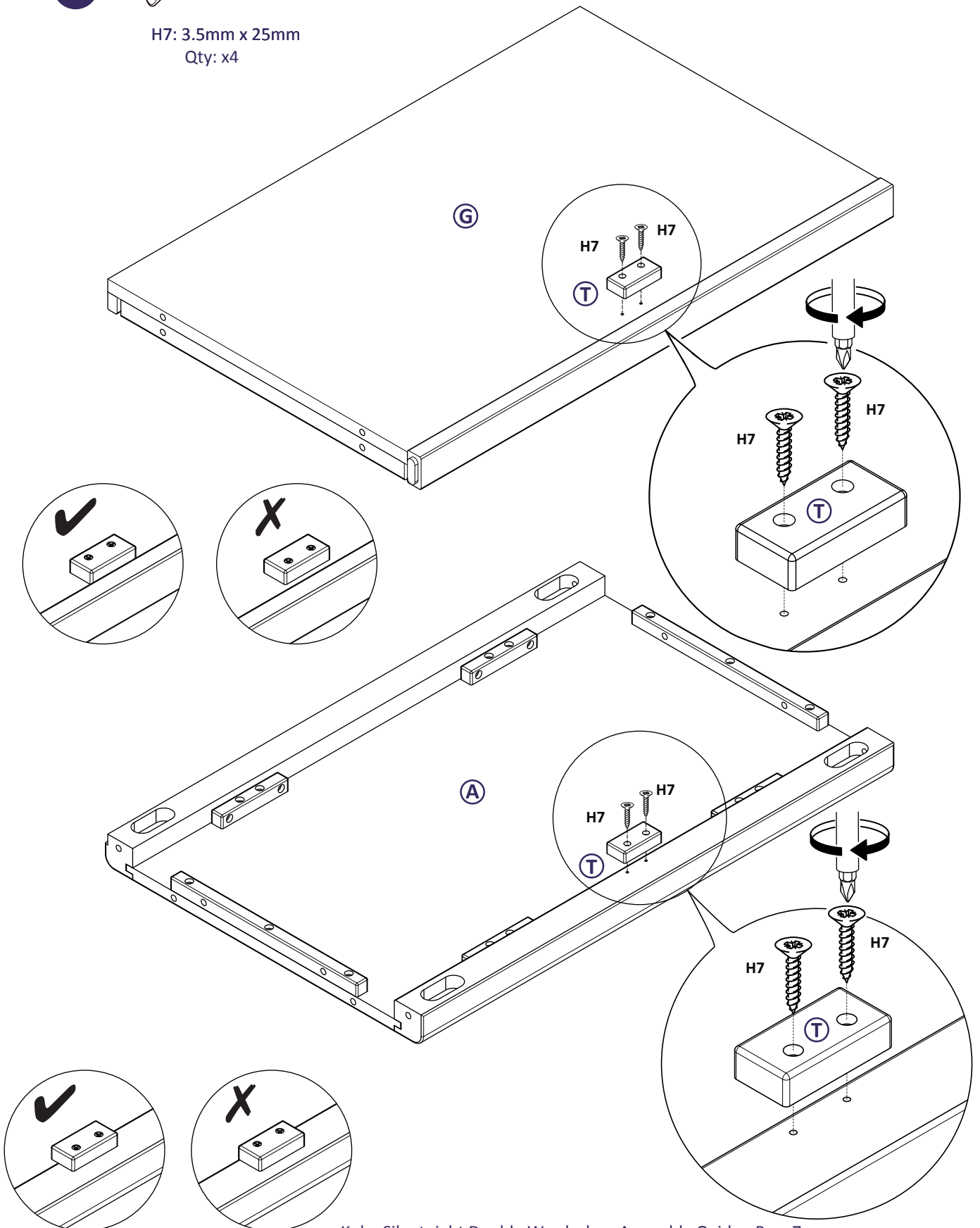


KOKO SILENTNIGHT DOUBLE WARDROBE

3

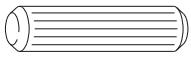


H7: 3.5mm x 25mm
Qty: x4

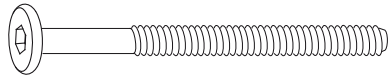


KOKO SILENTNIGHT DOUBLE WARDROBE

4



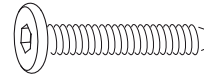
H10: 8mm x 30mm
Qty: x4



H1: M6 x 50mm
Qty: x4



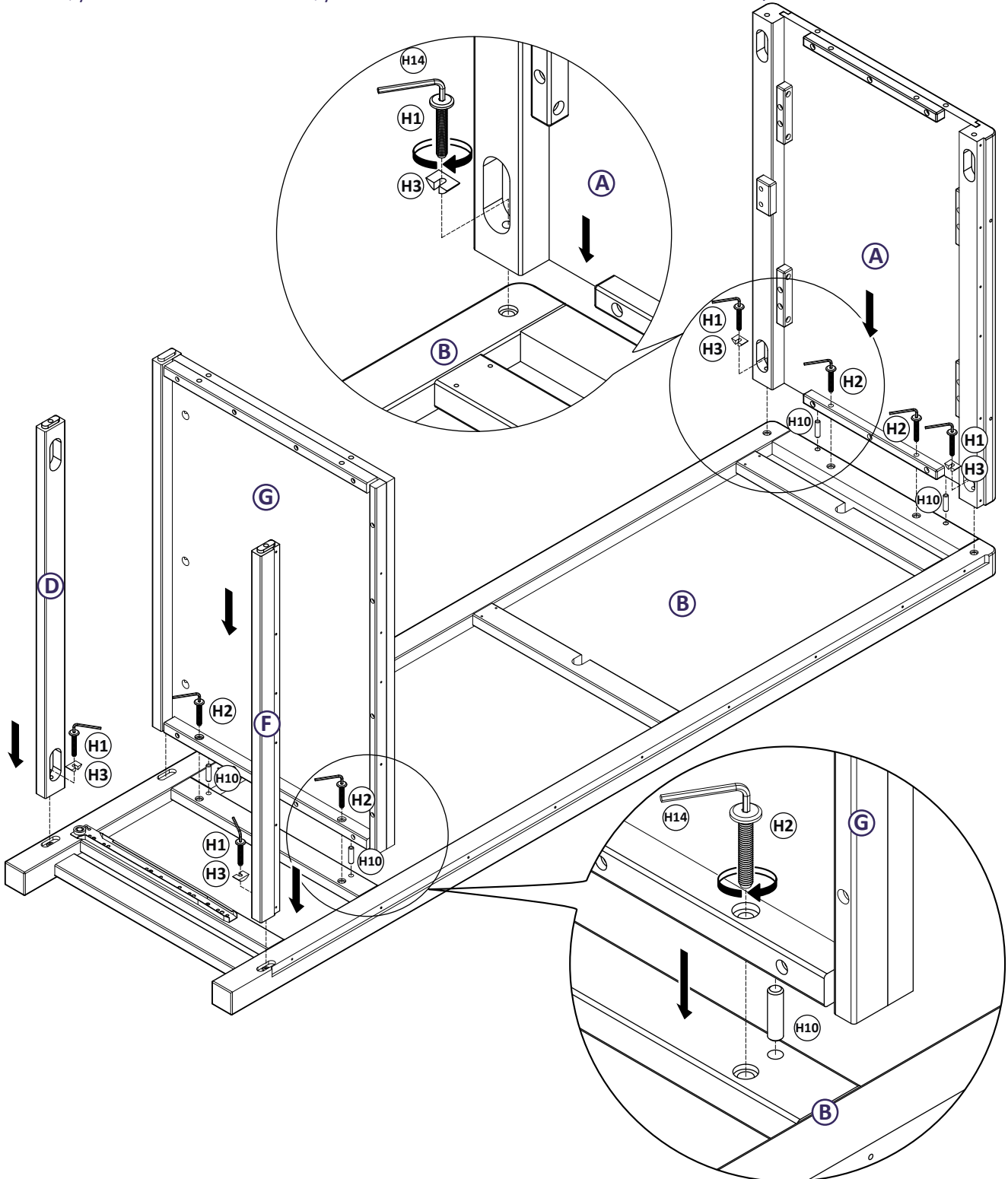
H3: 25 x 15 x 6mm
Qty: x4



H2: M6 x 30mm
Qty: x4

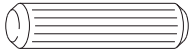


H14: M4 Allen key
Qty: x1

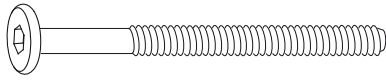


KOKO SILENTNIGHT DOUBLE WARDROBE

5



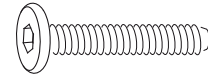
H10: 8mm x 30mm
Qty: x4



H1: M6 x 50mm
Qty: x4



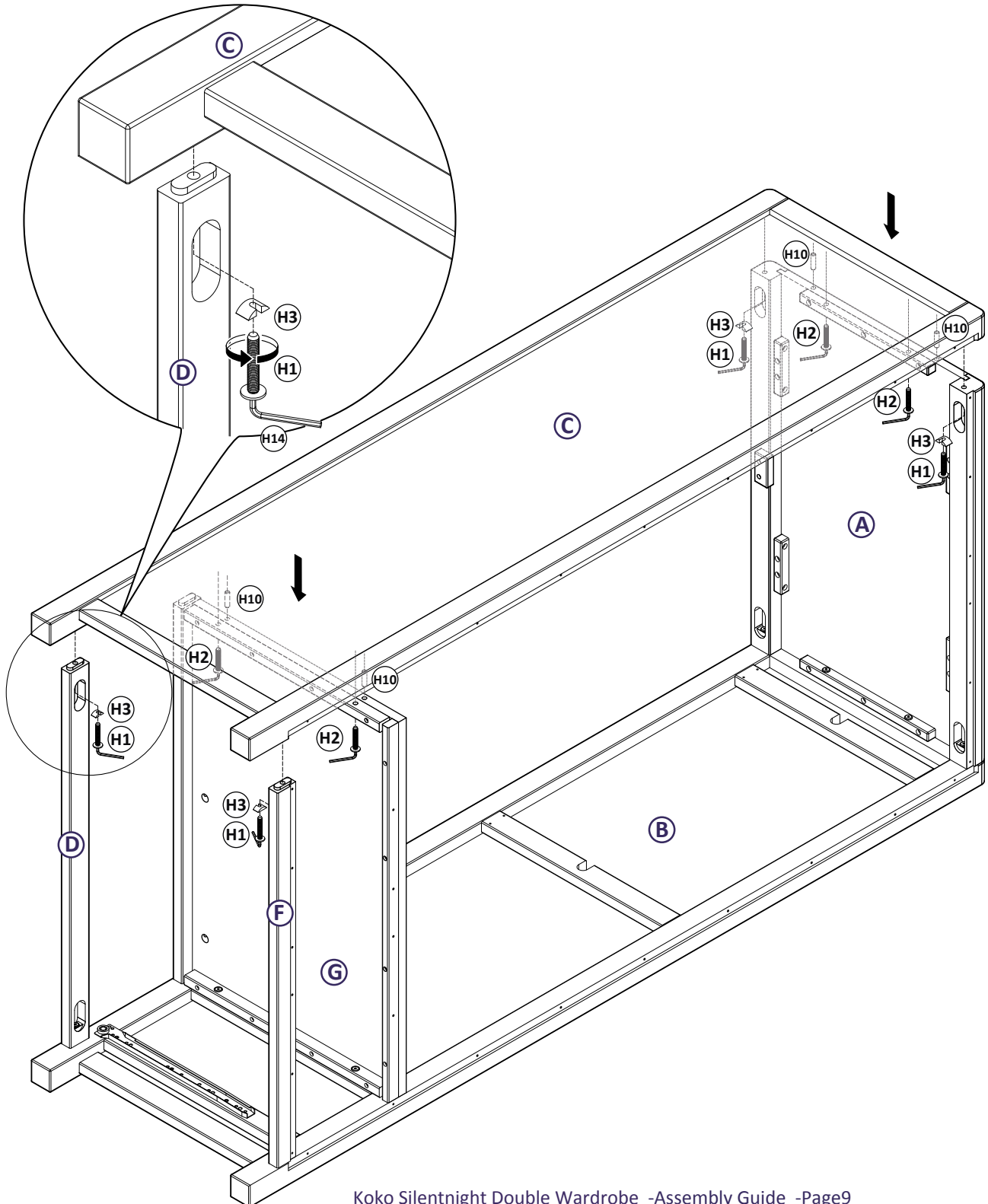
H3: 25 x 15 x 6mm
Qty: x4



H2: M6 x 30mm
Qty: x4



H14: M4 Allen key
Qty: x1

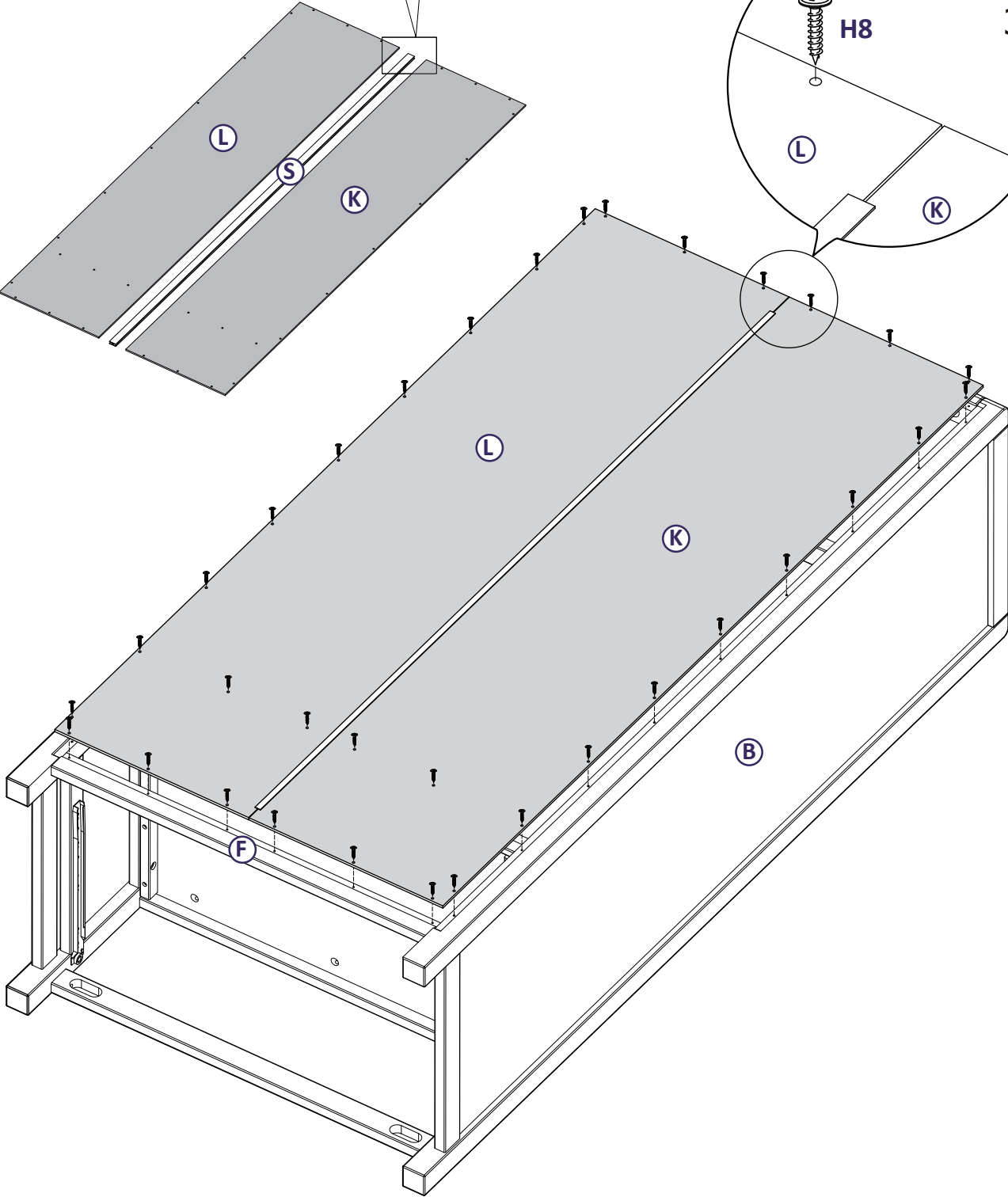
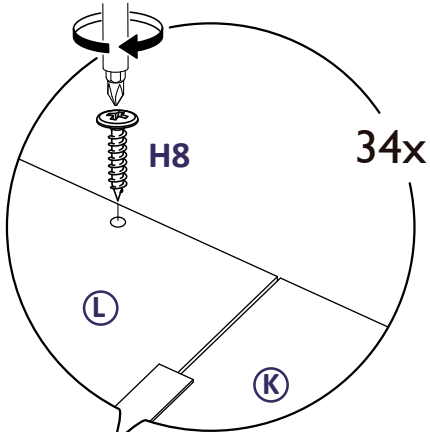
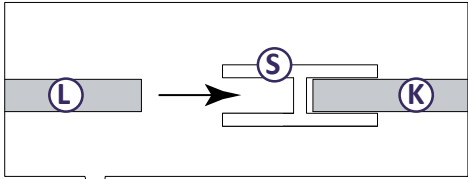


KOKO SILENTNIGHT DOUBLE WARDROBE

6



H8: 3.5mm x 16mm
Qty: x34

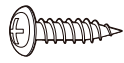


KOKO SILENTNIGHT DOUBLE WARDROBE

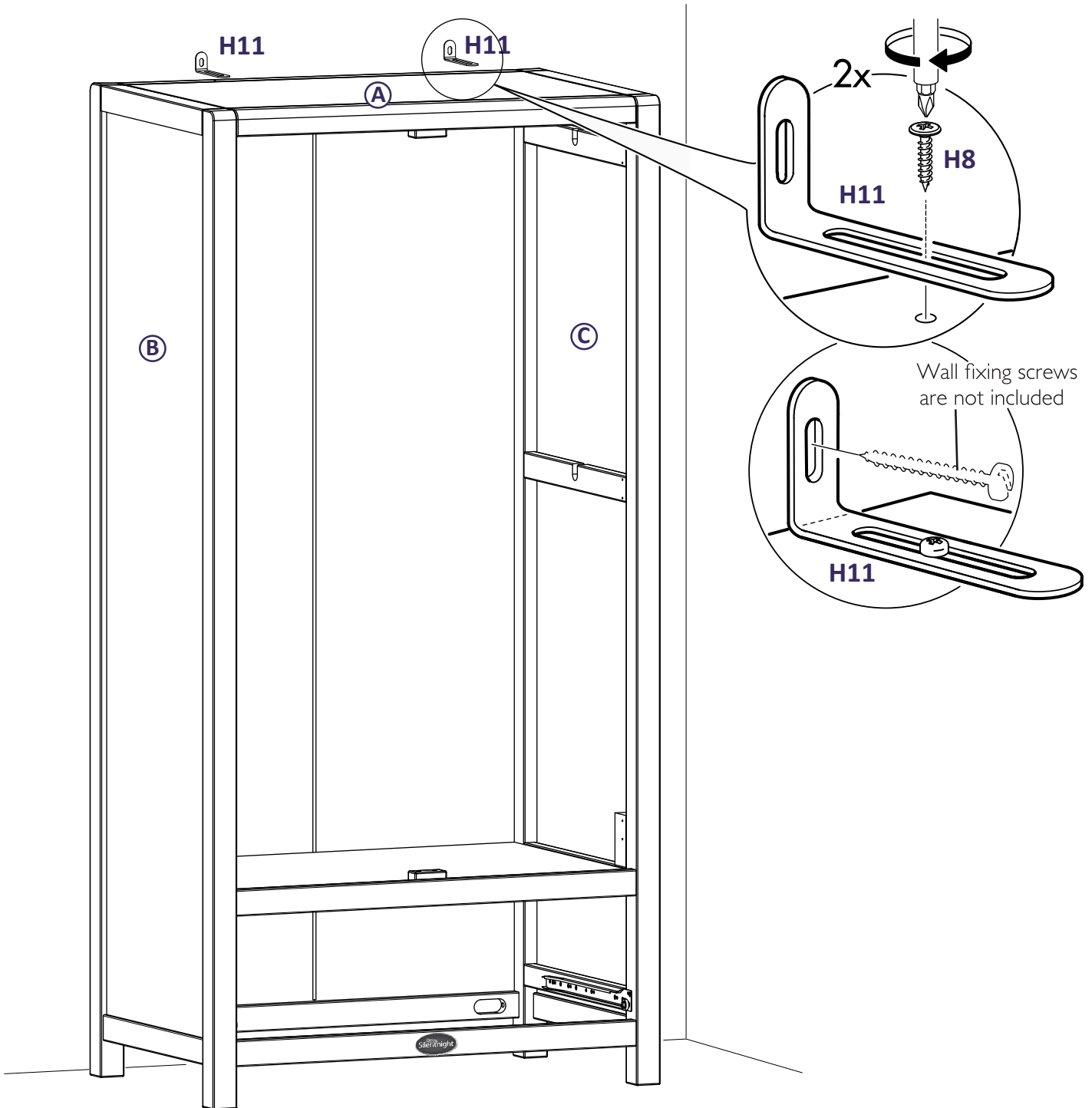
7



H11: 73 x 15 x 24mm
Qty: x2

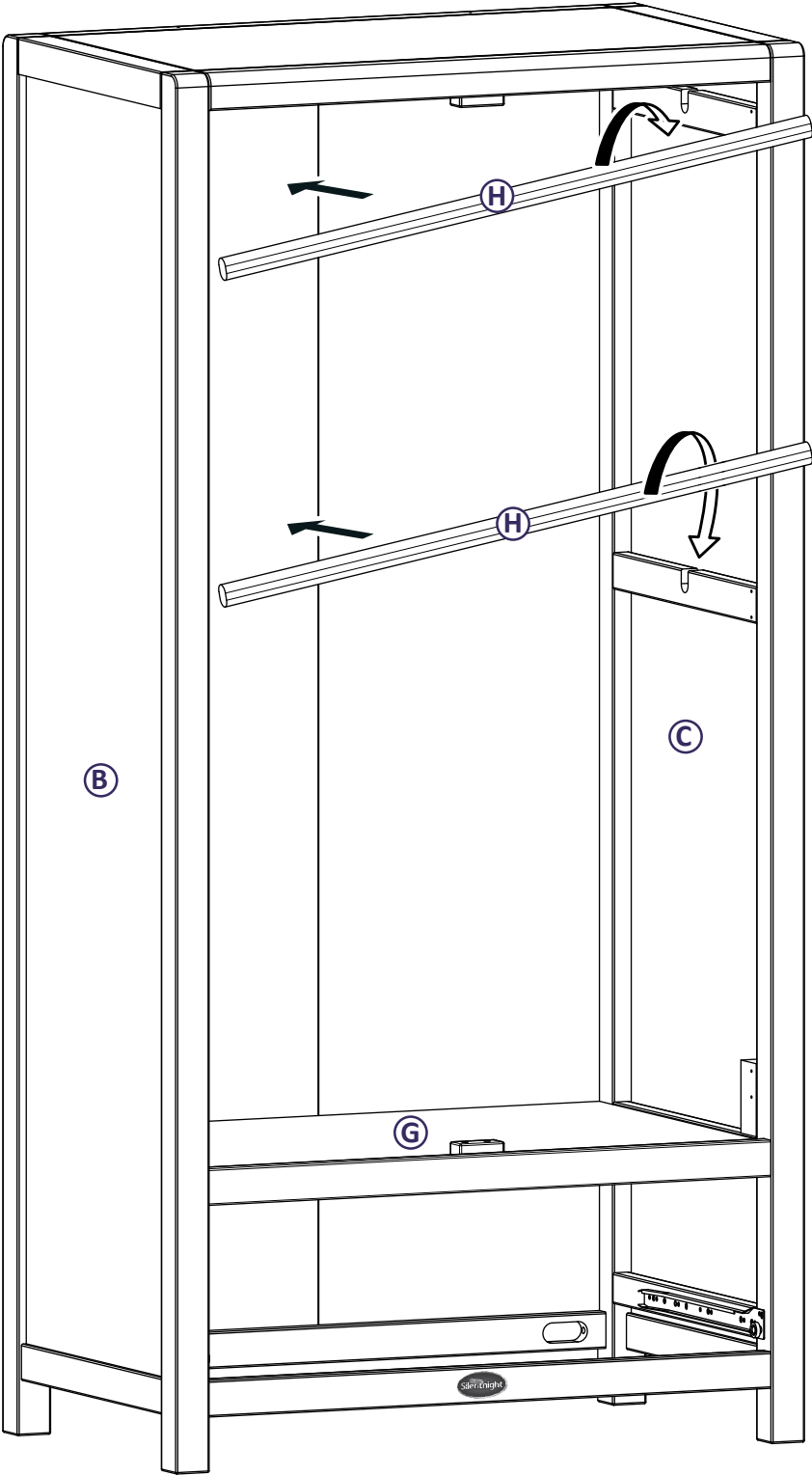


H8: 3.5mm x 16mm
Qty: x2



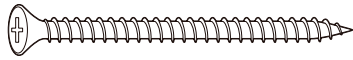
KOKO SILENTNIGHT DOUBLE WARDROBE

8

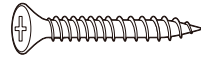


KOKO SILENTNIGHT DOUBLE WARDROBE

9



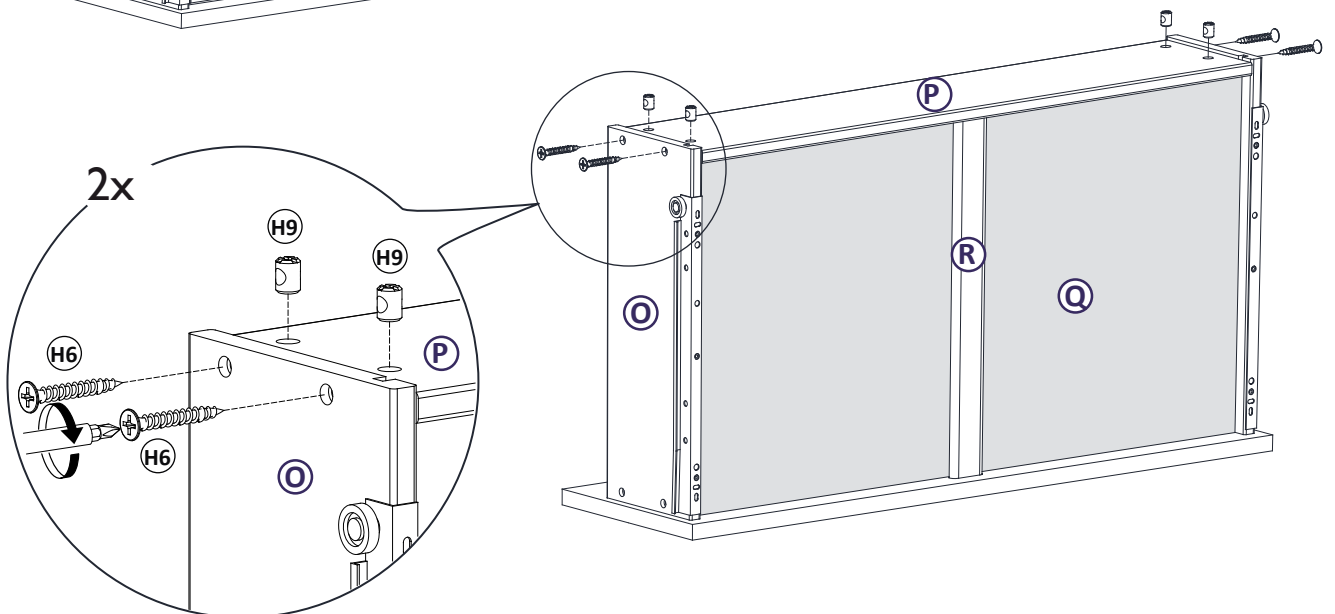
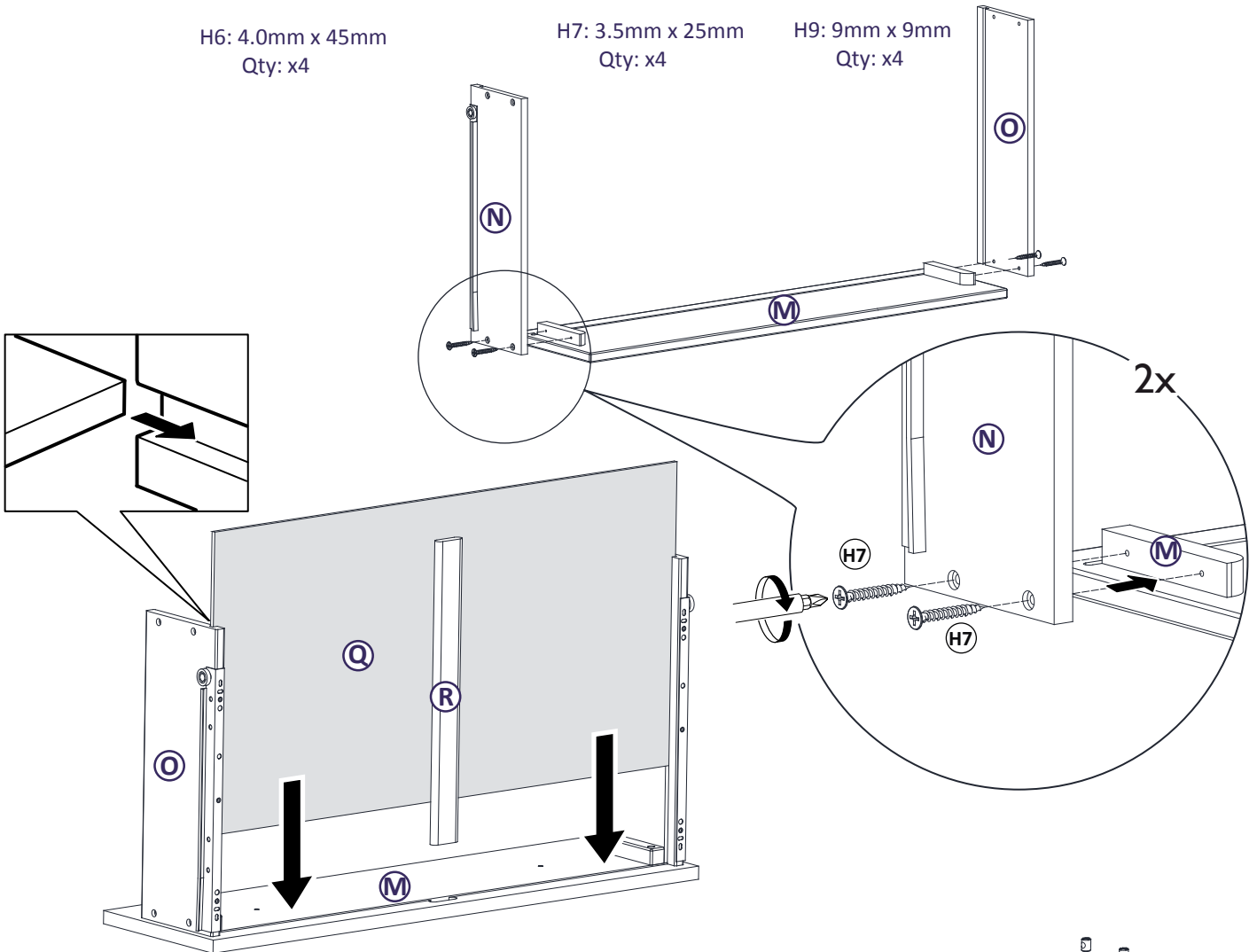
H6: 4.0mm x 45mm
Qty: x4



H7: 3.5mm x 25mm
Qty: x4

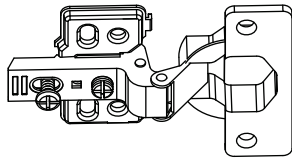


H9: 9mm x 9mm
Qty: x4



KOKO SILENTNIGHT DOUBLE WARDROBE

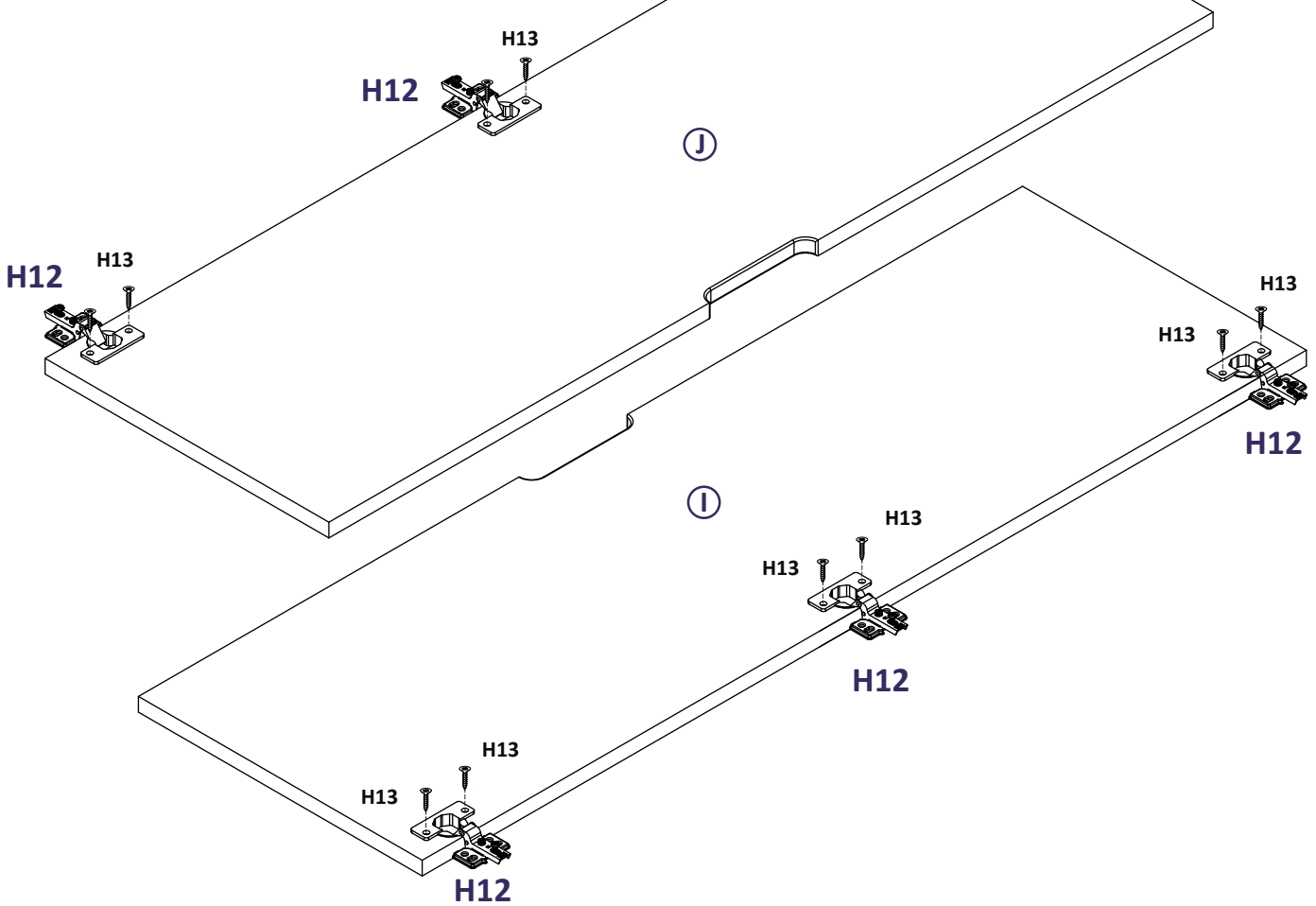
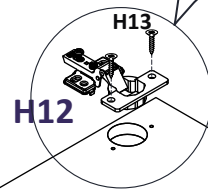
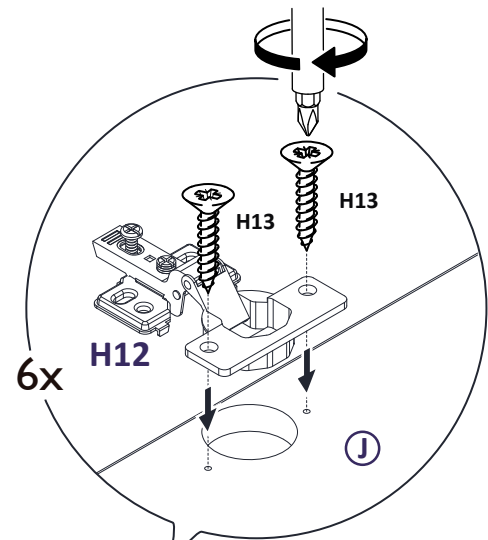
10



H12: Hinge
Qty: x6



H13: 3.5mm x 16mm
Qty: x12

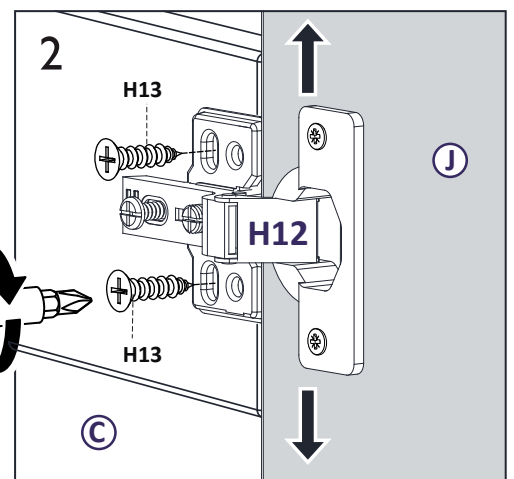
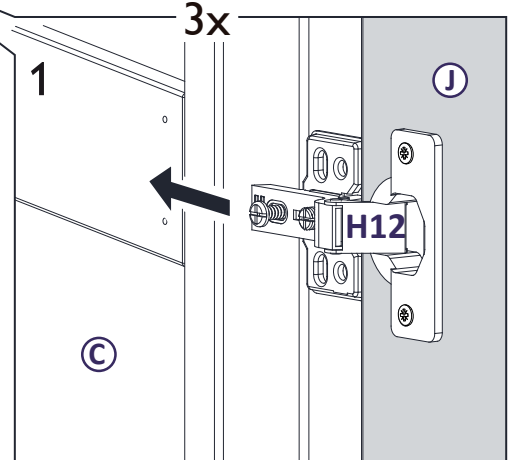
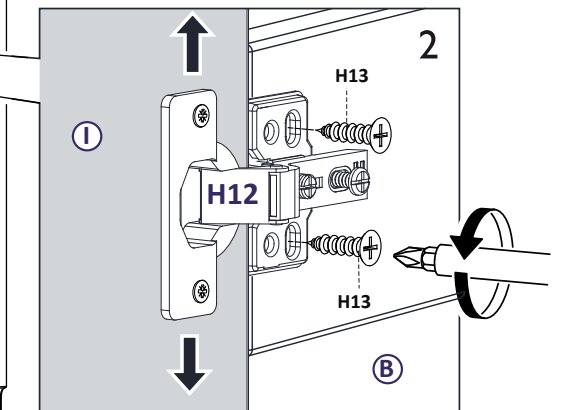
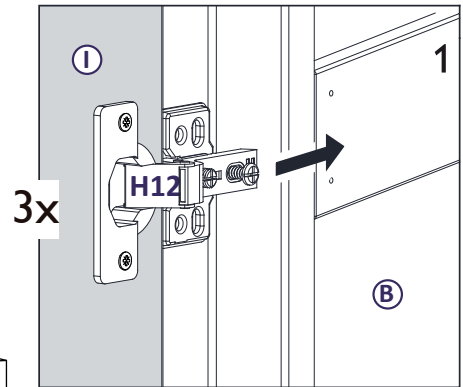
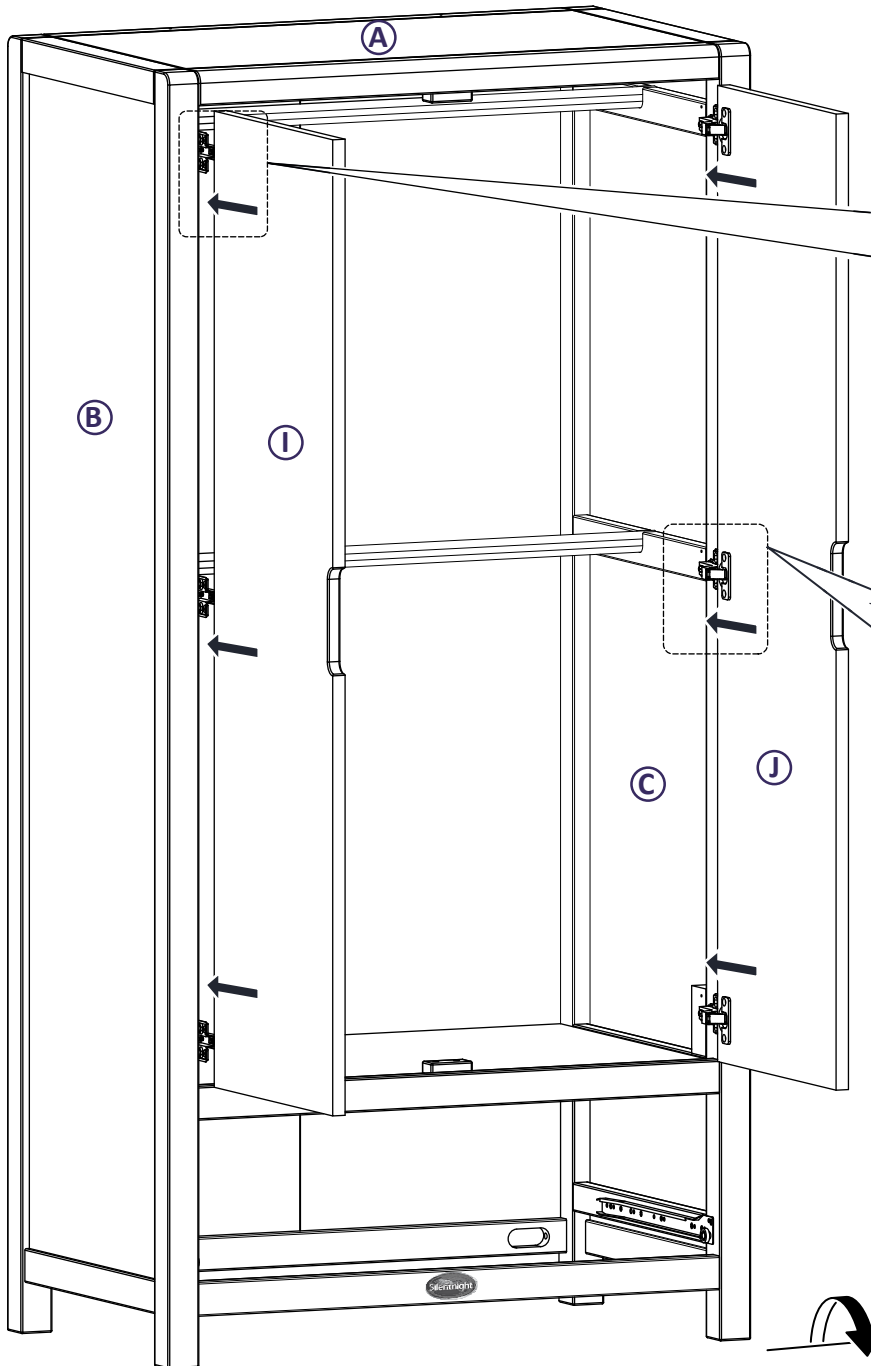


KOKO SILENTNIGHT DOUBLE WARDROBE

11



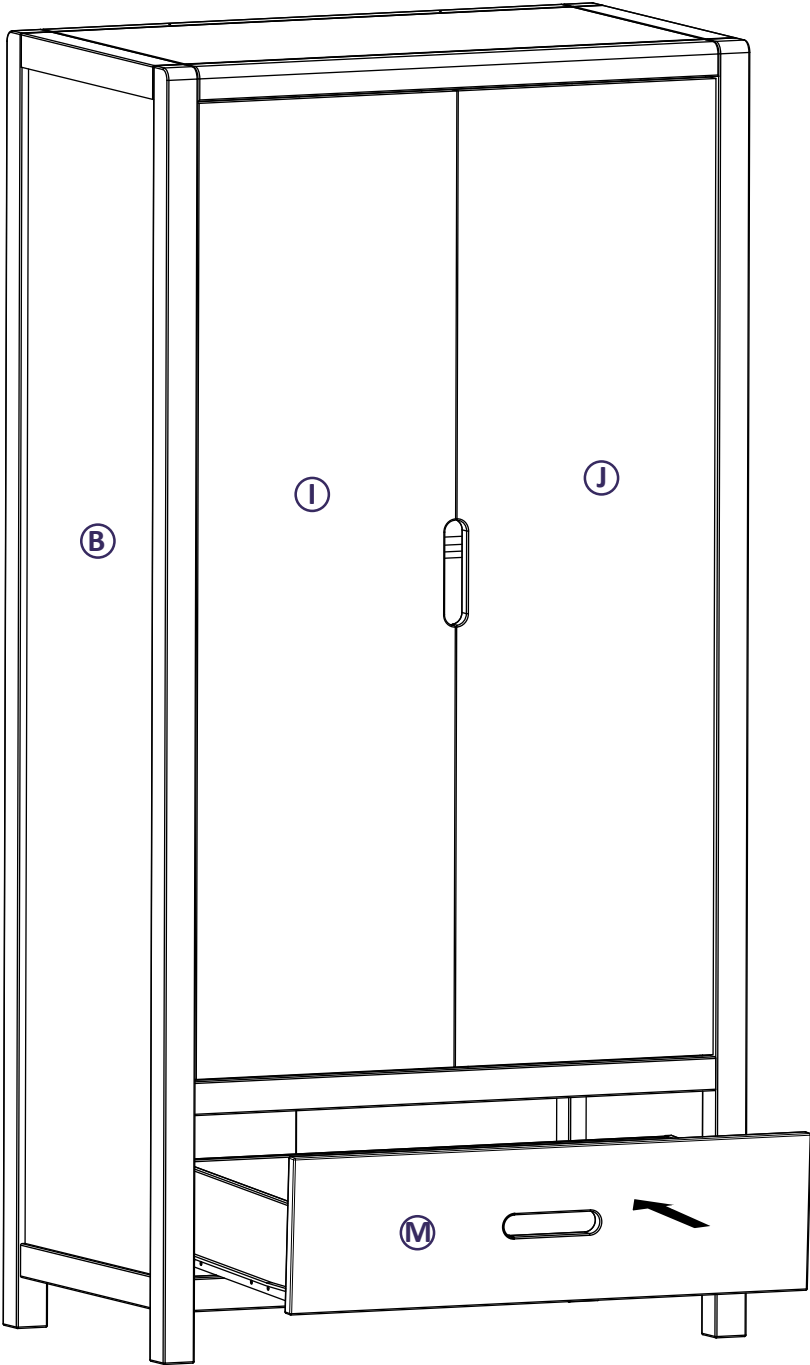
H13: 3.5mm x 16mm
Qty: x24



Important: To be in alignment with pilot holes when tightening screws in the oval holes of the hinge plate, the doors could be adjusted up or down to the suitable position.

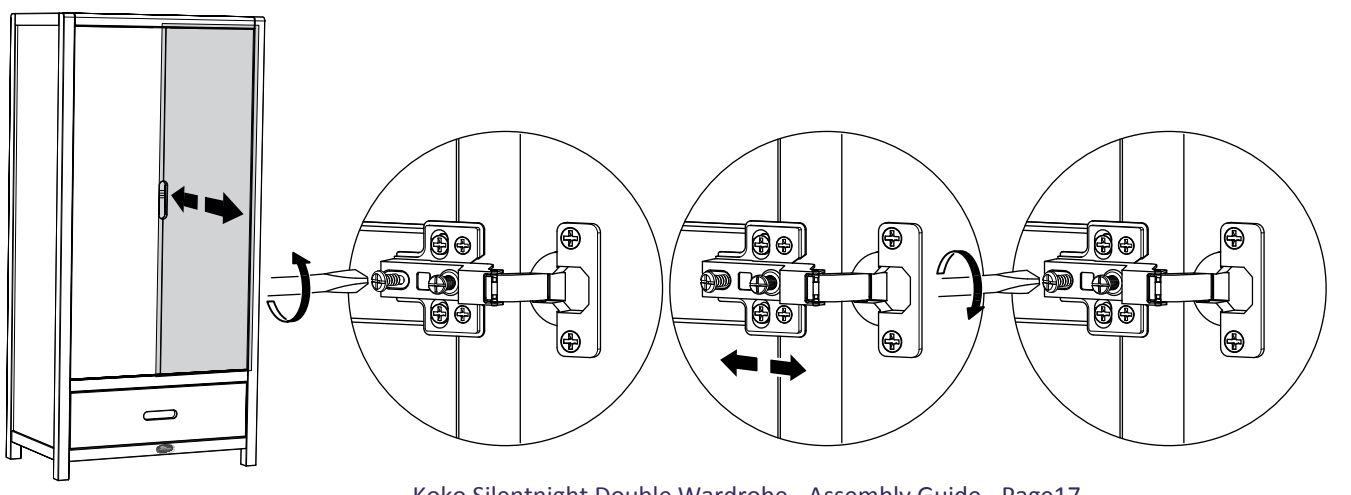
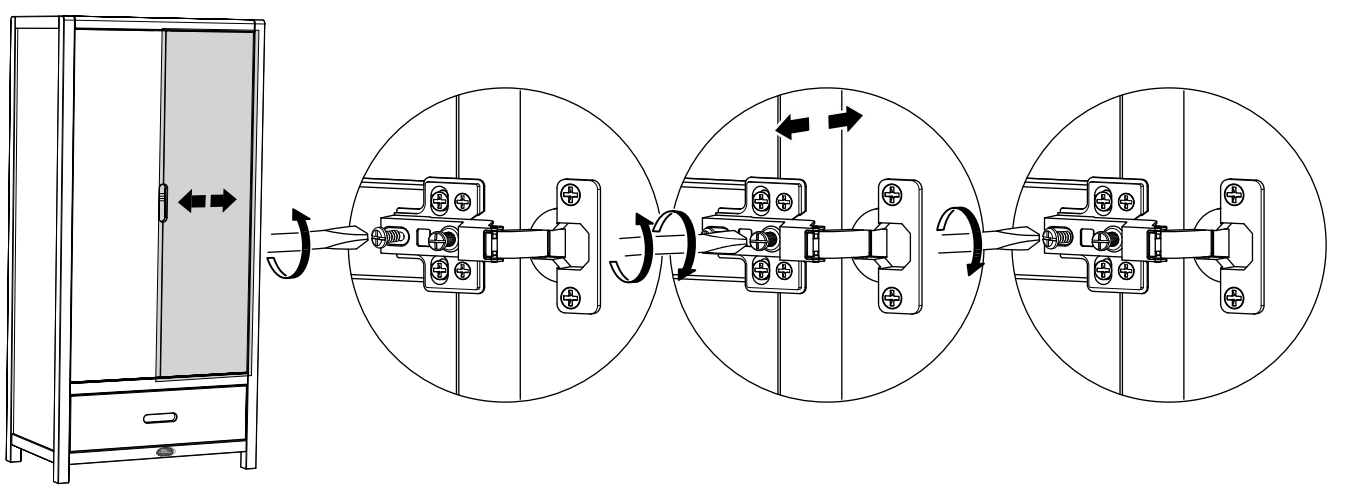
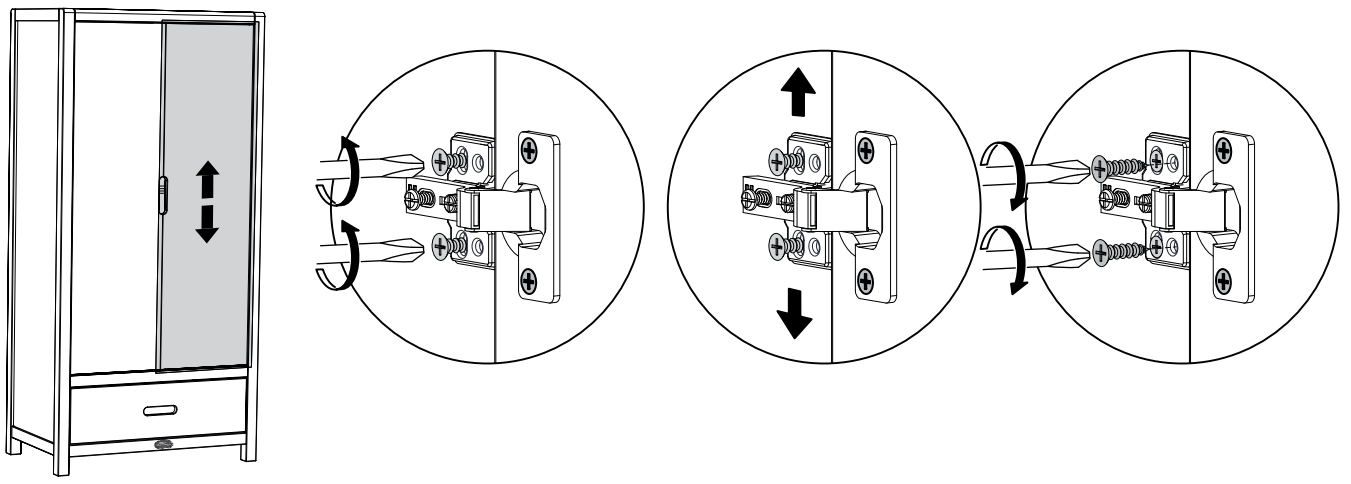
KOKO SILENTNIGHT DOUBLE WARDROBE

12



KOKO SILENTNIGHT DOUBLE WARDROBE

13



Care and maintenance

Here are some tips to keep your new wardrobe in tip-top condition



Cleaning

To clean your new Wardrobe, we'd advise using a warm damp cloth - please do not use abrasive chemicals or bleach as this may damage the product.



Checking and moving

Periodically we recommend you check that the screws or fixtures haven't become loose, over time. To move your new wardrobe, we recommend lifting it where possible, as dragging or pushing it could cause damage to your flooring.



Wood

Please note each of our wooden pieces are unique, meaning that markings and shade can vary slightly between Wardrobe. Over a period of time, the wood might lighten or fade slightly due to light exposure.



Fabric

Please note depending on the lighting, positioning and surroundings of your room, the shade of the colour can sometimes appear slightly different. Over a period of time, the colour might lighten or fade slightly due to light exposure.



Metal

Metal tends to be more resilient to everyday wear and tear. We recommend to gently dust your metal furniture and keep it dry to maintain its look.

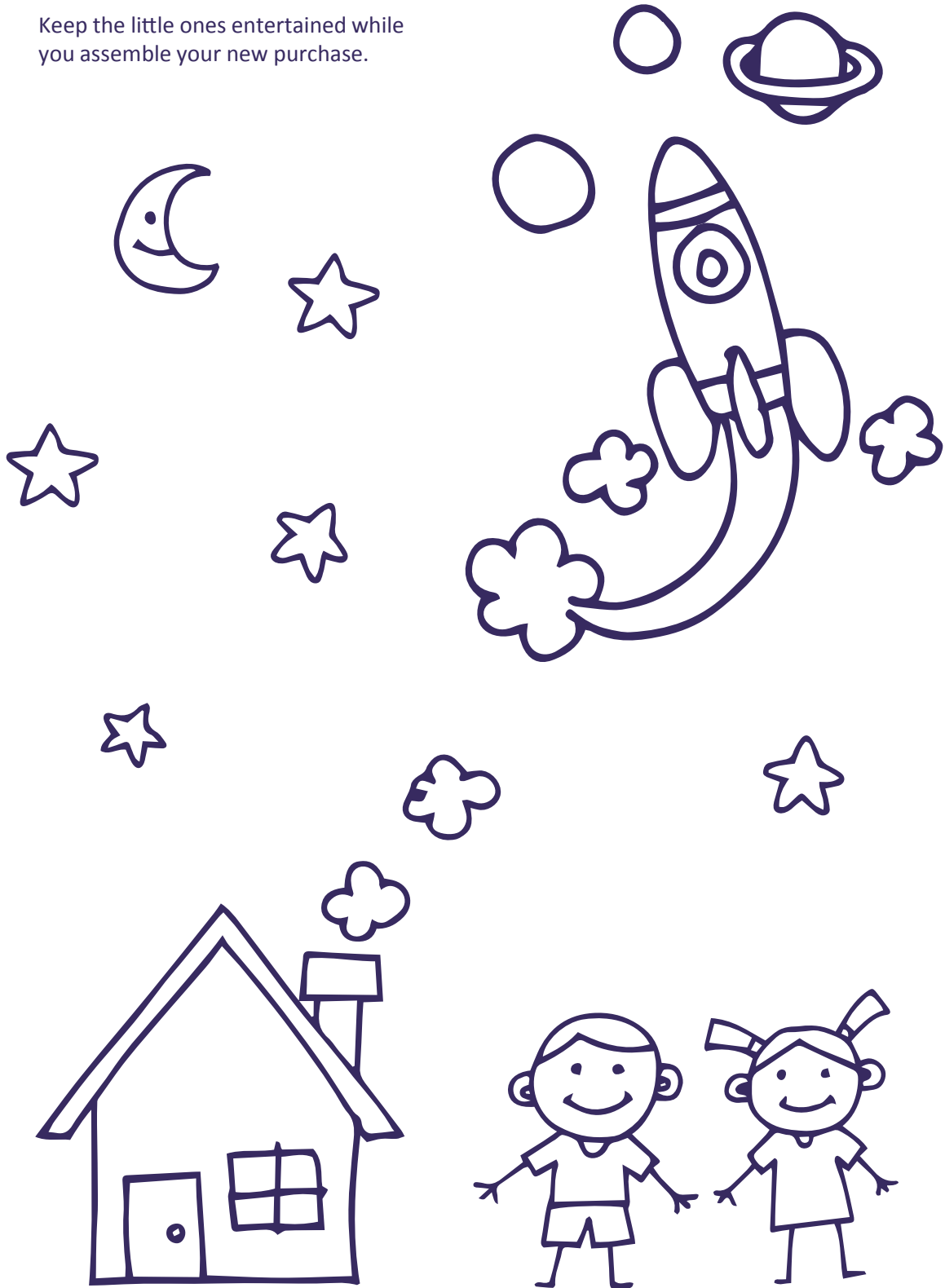
Thank you for shopping with us - we hope you have a great night's sleep

Sleep well



Little dreamers

Keep the little ones entertained while you assemble your new purchase.



Dreams

